



## Indoor current transformer up to 0,72 kV – 3000 A Type KSOH

Possible models KSOH 1555C / KSOH 1555H / KSOH 1555O / KSOH 2212 / KSOH 1911



KSOH 1911



KSOH 1555



KSOH 2212

- single-phase window type
- standards GOST 7746-2015 / IEC 61869-1 & -2
- for measurement and protection equipment
- up to max 4 cores

### Technical data

		KSOH 1555 C; KSOH 1555 H; KSOH 1555 O	KSOH 2212	KSOH 1911
Rated voltage, $U_r$	kV	0,66		
Highest voltage for equipment, $U_m$	kV	0,72		
Test voltage (short-duration withstand   rated lightning-impulse withstand)	kV	3   -		
Rated primary currents, $I_{pr}$	A	5 ... 3000		
Rated secondary currents, $I_{sr}$	A	1 and/or 5		
Rated dynamic current, $I_{dyn}$		$2,5 \times I_{th}$		
Rated power, $S_r$ - power factor $\cos \varphi_2 = 1$ - power factor $\cos \varphi_2 = 0,8$	V·A	0,5 ... 5 3 ... 60		
Accuracy class - measurement core - protection core		0,2; 0,2S; 0,5; 0,5S; 1; 3 5P; 10P		
Instrument security factor, FS		5 ... 15		
Accuracy limit factor, ALF		5 ... 30		
Rated continuous thermal current, $I_{cth}$		$1,0 \times I_{pr}$ ( $> 1,0 \times I_{pr}$ on request)		
Rated short-time thermal current, $I_{th}$		up to $100 \times I_{pr}$   max 40 kA		
Rated frequency	Hz	50 (60 on request)		
Ambient temperature	°C	-5°C ... +40°C		
Insulation class		E (120 °C)		
Protection class		IP40		
Window dimensions		55; 105; 120 ....		
Mounting position		of no significance		
Lifetime	years	>30		
Weight	kg	5 ... 20		

Subject to Technical Changes.

#### KSOH1555:

Primary current: 50 ... 1250 A, secondary current 1A (or 5A)

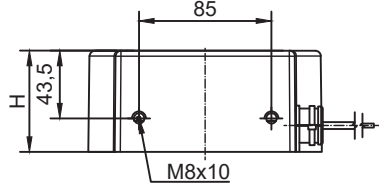
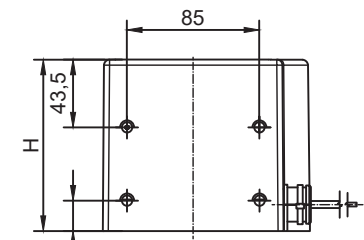
On request two current values (e.g. 300 - 150 A) by means of secondary tapping

#### KSOH2212:

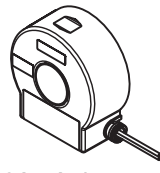
Primary current: 50 ... 2500A, secondary current 1A (or 5A)

On request two current values (e.g. 300 - 150A) by means of secondary tapping

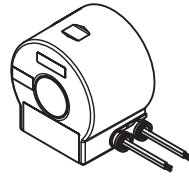




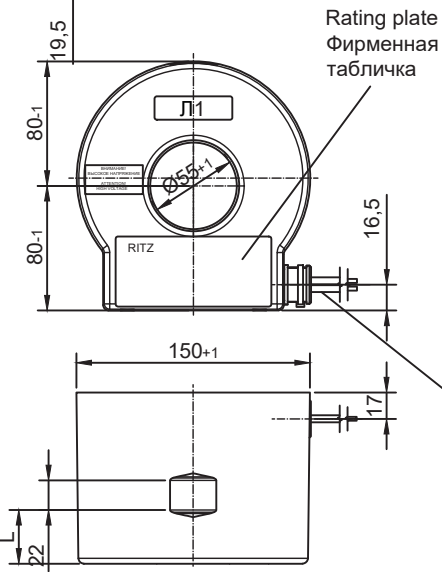
max. 6 leads / выводов



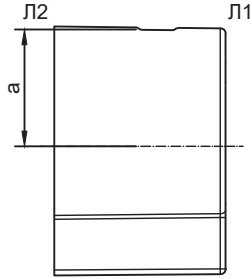
6-12 leads / выводов



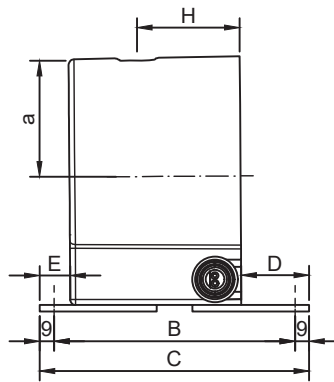
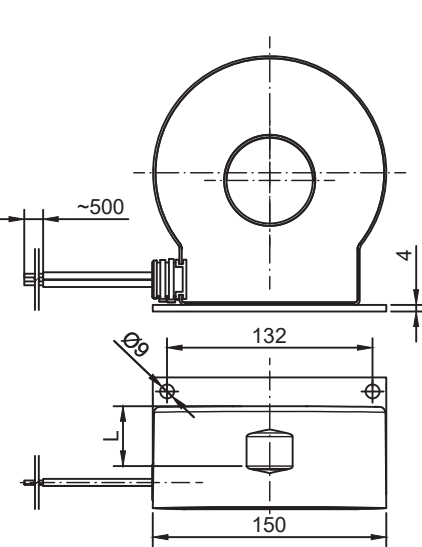
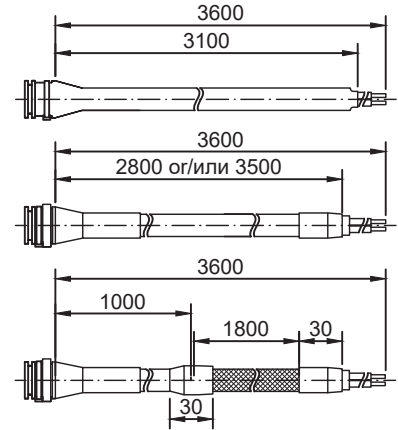
	KSOH 1555 C / H / O	KSOH 1555 C / H / O	KSOH 1555 C / H / O	KSOH 1555 H
	.01	.02	.03	.04
H	65	110	170	285
L	40	55	85	142,5
a	75	75,5	76	74,3



Rating plate  
Фирменная  
табличка



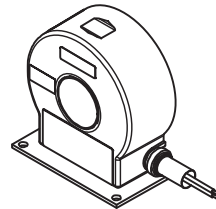
Connecting cable / Соединительный кабель  
**KSOH 1555 O**: DIN 57281 H07V-K1X2,5  
**KSOH 1555 C / H**: DIN 57281 H07V-K1X4  
 length according to customer's requirements  
 длина по требованию заказчика



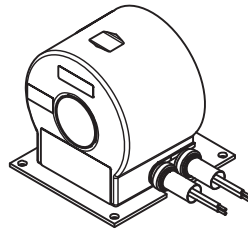
Model with base plate and secondary leads

Модель с опорной плитой и вторичными выводами

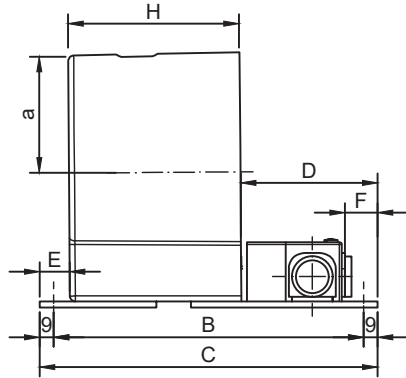
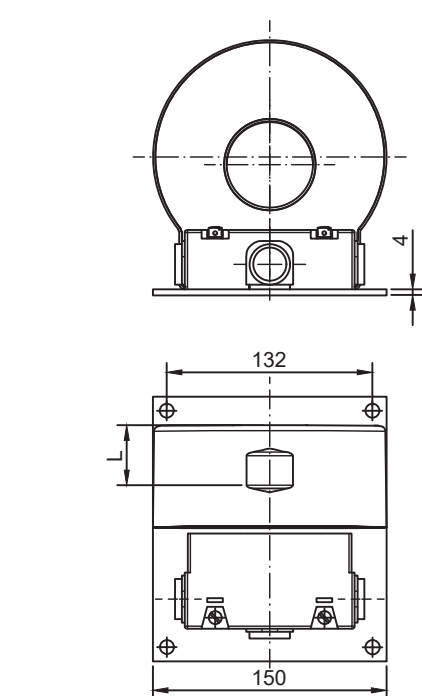
max. 6 leads / выводов



6-12 leads / выводов



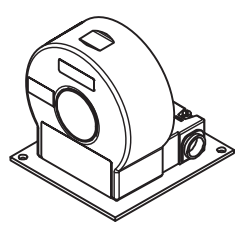
	KSOH 1555 H	KSOH 1555 H	KSOH 1555 H	KSOH 1555 H
	.11	.12	.13	.14
H	65	110	170	285
B	75,5	155	215	330
C	84,5	173	233	348
D	-	43,5	43,5	43,5
E	19,5	19,5	19,5	19,5
L	40	55	85	142,5
a	75	75,5	76	74,3

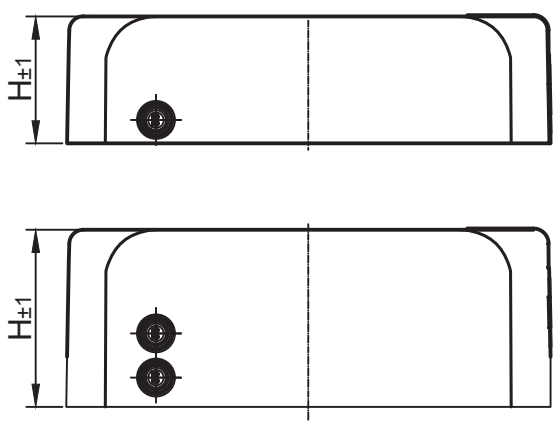
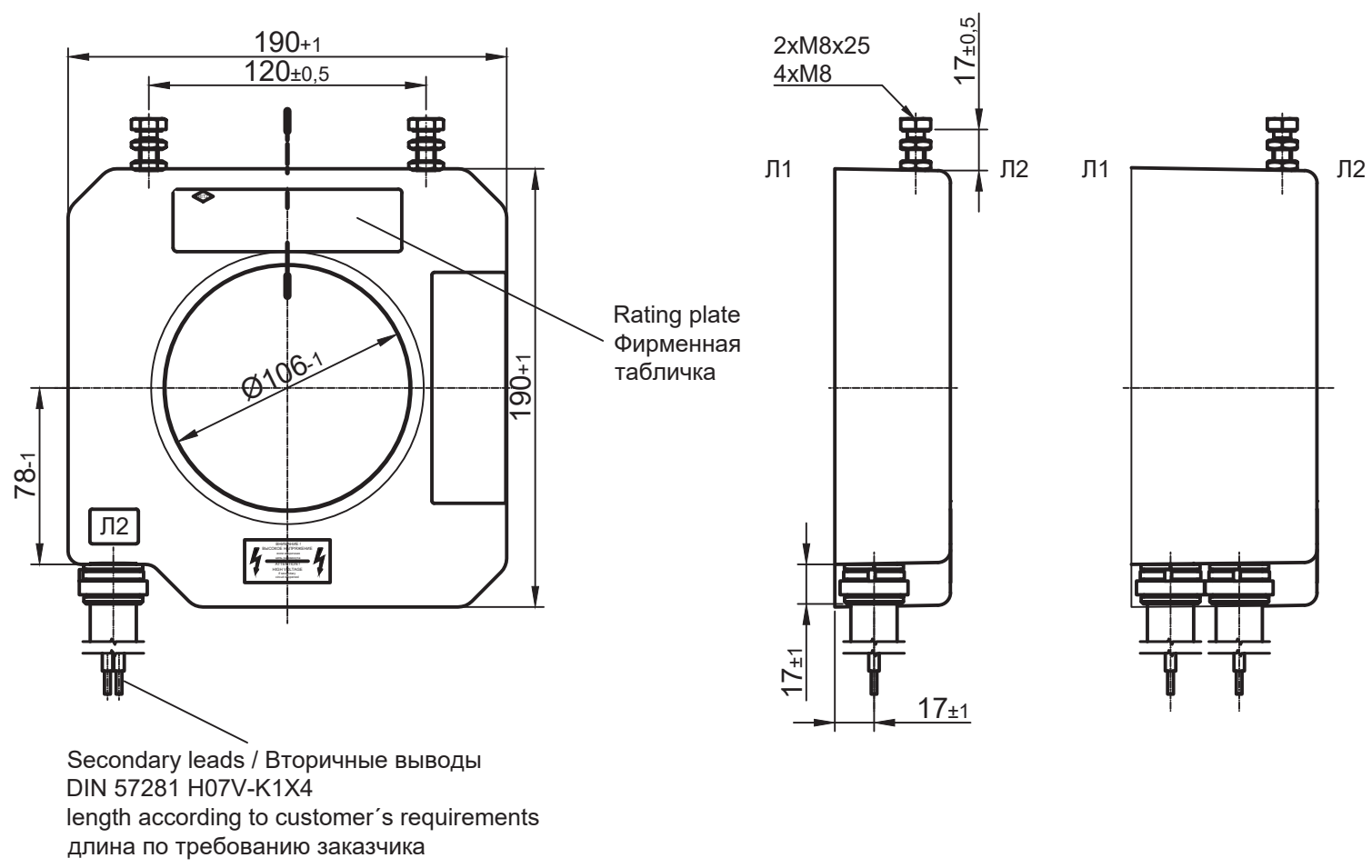


Model with base plate and terminal box

Модель с опорной плитой и клеммной коробкой

	KSOH 1555 H	KSOH 1555 H	KSOH 1555 H	KSOH 1555 H
	.21	.22	.23	.24
H	65	110	170	285
B	152	199	259	374
C	170	217	277	392
D	85,5	87,5	87,5	87,5
E	19,5	19,5	19,5	19,5
F	21	21	21	21
L	40	55	85	142,5
a	75	75,5	76	74,3





max. 6 leads / ВЫВОДОВ	max. 12 leads / ВЫВОДОВ
50	100
65	150
	214
	280

max. 6 leads / ВЫВОДОВ

6-12 leads / ВЫВОДОВ

