



# Indoor current transformer up to 24 kV – 5000 A

## Type GSS(O) 12 | 17,5 | 24

Possible models GSS(O) 10 / 20



- ring core type
- cast resin insulation
- secondary reconnection
- standards GOST 7746-2015 / IEC 61869-1 & -2
- for measurement and protection equipment
- up to max 5 cores

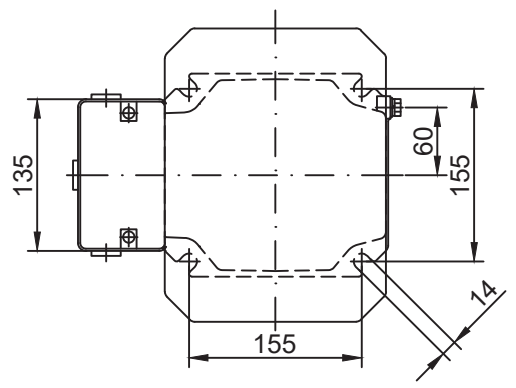
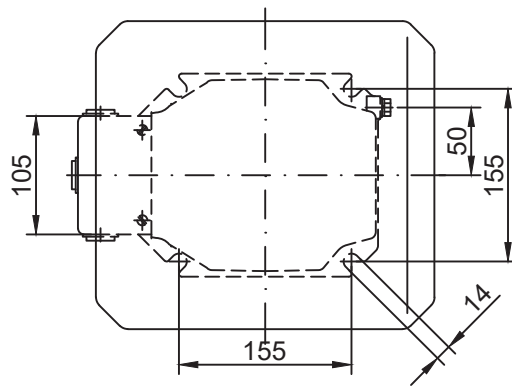
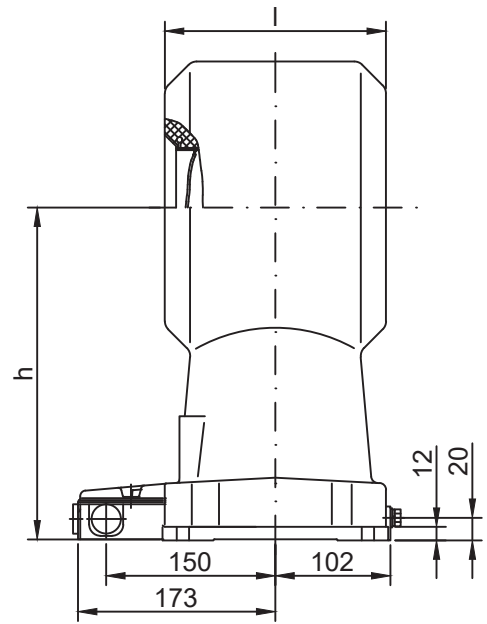
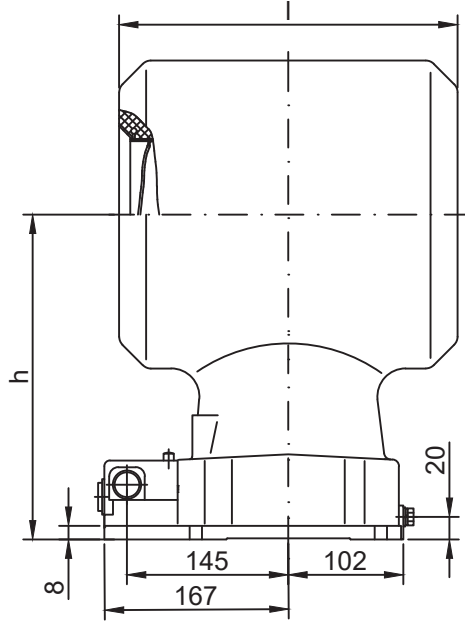
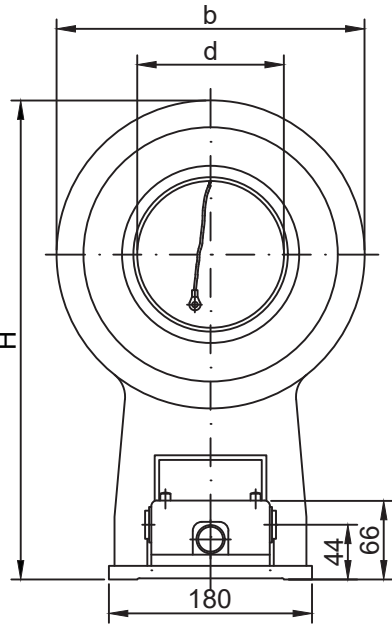
Technical data			
		GSS(O) 10	GSS(O) 20
Rated voltage, $U_r$	kV	6; 10	15; 20
Highest voltage for equipment, $U_m$	kV	7,2; 12	17,5; 24
Test voltage (short-duration withstand   rated lightning-impulse withstand)	kV	20   60; 28 (42)   75	38   95; 50 (65)   125
Rated primary currents, $I_{pr}$	A	50 ... 5000	
Rated secondary currents, $I_{sr}$	A	1 and/or 5	
Rated dynamic current, $I_{dyn}$		$2,5 \times I_{th}$   max 100 kA	
Rated power, $S_r$ - power factor $\cos \varphi_2 = 1$ - power factor $\cos \varphi_2 = 0,8$	V·A	0,5 ... 5 3 ... 60	
Accuracy class - measurement core - protection core		0,2; 0,2S; 0,5; 0,5S; 1; 3 5P; 10P	
Instrument security factor, FS		5 ... 15	
Accuracy limit factor, ALF		5 ... 30	
Rated continuous thermal current, $I_{cth}$		$1,0 \times I_{pr}$ ( $>1,0 \times I_{pr}$ on request)	
Rated short-time thermal current, $I_{th}$		up to $1000 \times I_{pr}$   max 120 kA	
Rated frequency	Hz	50 (60 on request)	
Ambient temperature	°C	-5°C ... +40°C	
Insulation class		E (120 °C)	
Protection class		IP40	
Flexing strength	N	>5000	
Mounting position		up right	
Lifetime	years	>30	
Weight	kg	15 ... 80	

Subject to Technical Changes.



**GSSO 10D / 20D**

**GSSO 10 / 17,5 / 20**



	GSSO10D size 0 GSSO20D size 0	GSSO10D size 3 GSSO20D size 3	GSSO10D size 4 GSSO20D size 4	GSSO10 size 1	GSSO10 size 2 GSSO20 size 1	GSSO10 size 3 GSSO17,5 size 3 GSSO20 size 2
<b>b</b>	273			214	260	273
<b>d</b>	102 / 130			68 / 87	68 / 87 / 102	102 / 130
<b>H</b>	425			342	425	
<b>h</b>	288			235	295	288
<b>l</b>	150	300	450	176	196	300

