



Indoor voltage transformer up to 24 kV Type GSES 12 | 17,5 | 24

Possible models GSES 12D / 24D

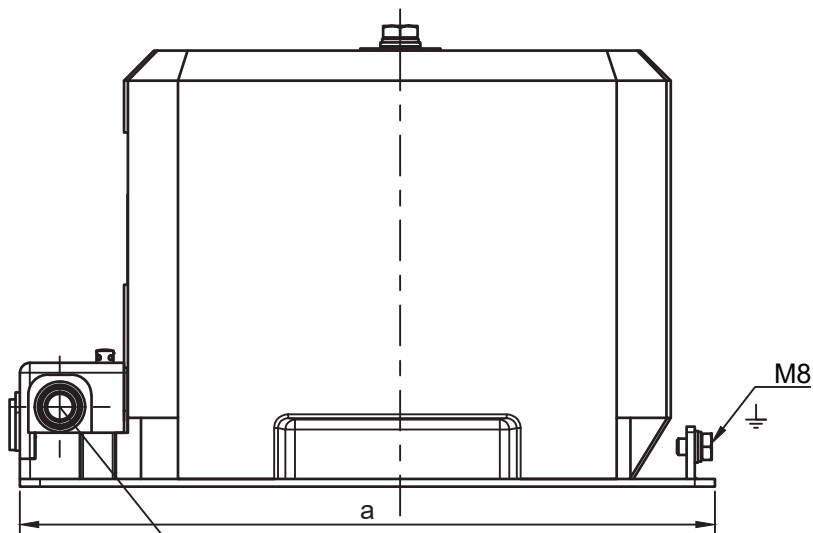


- small block type
- single-pole insulated
- cast resin insulation
- secondary reconnection
- standards IEC 61869-1 & -3 / GOST 1983-2015
- for measurement and protection equipment

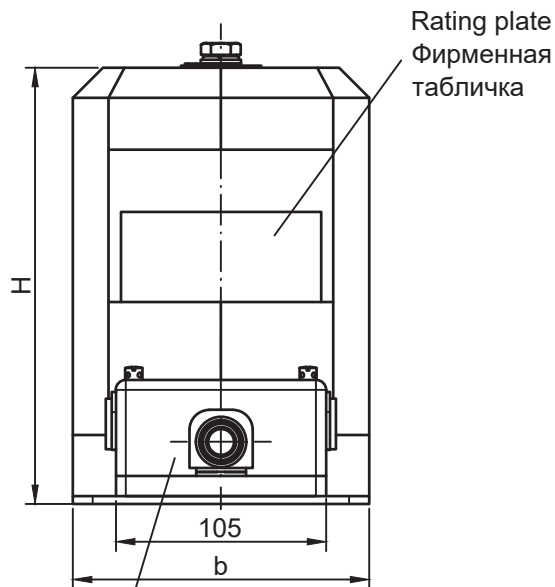
Technical data			
		GSES 12D	GSES 24D
Rated voltage, U_r	kV	10; 15	20
Highest voltage for equipment, U_m	kV	12; 17,5	24
Test voltage (short-duration withstand rated lightning-impulse withstand)	kV	28 (42) 75; 38 (55) 95;	50 (65) 125
Rated primary voltage, U_{pr}	V	$6000/\sqrt{3} \dots 15000/\sqrt{3}$	$15000/\sqrt{3} \dots 20000/\sqrt{3}$
Rated secondary voltage, U_{sr} (measurement winding)	V	$100/\sqrt{3}$	
Rated secondary voltage, U_{sr} (earth winding)	V	100/3	
Accuracy class - measurement winding - earth winding		0,2; 0,5; 1 3P; 6P	
Rated power, S_r - measurement winding - earth winding	V·A	5 ... 180 5 ... 100	5 ... 180 5 ... 100
Thermal limiting output - measurement winding - earth winding	V·A	up to 600 up to 100	up to 600 up to 100
Rated voltage factor		$1,9 \times U_r$	
Rated frequency	Hz	50 (60 on request)	
Ambient temperature	°C	-5°C ... +40°C	
Insulation class		E (120 °C)	
Protection class		IP44	
Flexing strength	N	>5000	
Mounting position		of no significance	
Lifetime	years	>30	
Weight	kg	20 ... 30	30 ... 40

Subject to Technical Changes.

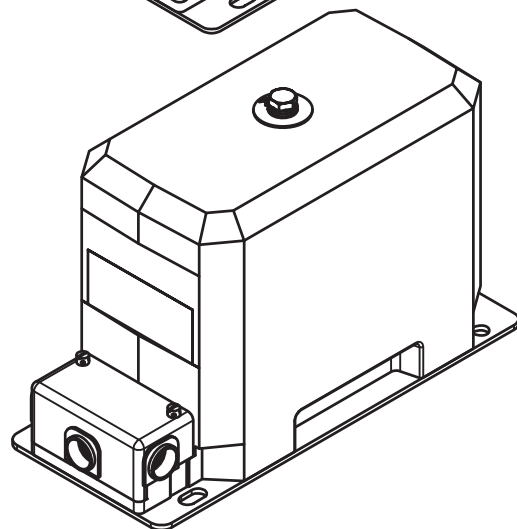
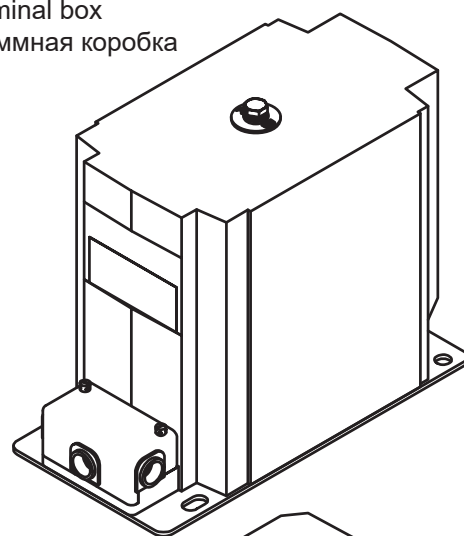
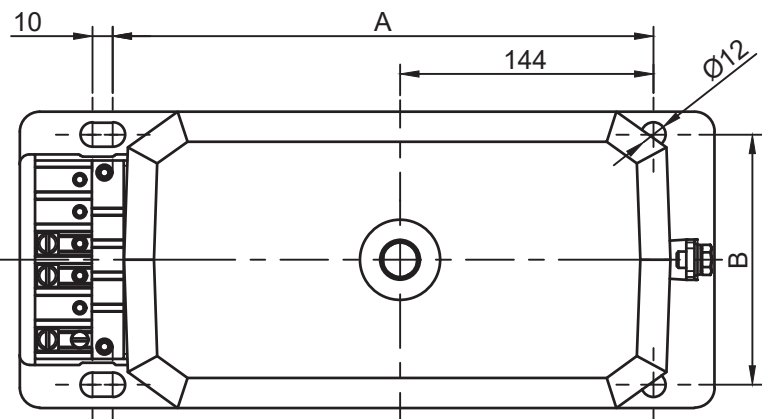




Cable gland Pg16
Кабельный вывод Pg16



Terminal box
Клеммная коробка



	GSES12D	GSES17,5D	GSES24D
A	270	270	280
B	125	125	150
a	347	347	355
b	148	148	178
H *	220 (334)	220 (334)	280 (365)

Sizes in mm / Размеры в мм

* The height with fuse is given in brackets. / Высота с предохранителем указана в скобках.

Terminal marking / Обозначение клемм

