



Indoor voltage transformer up to 52 kV Type GSE 12 | 17,5 | 24 | 36 | 40,5 | 52

Possible models GSE 10 / 20 / 30 / 45

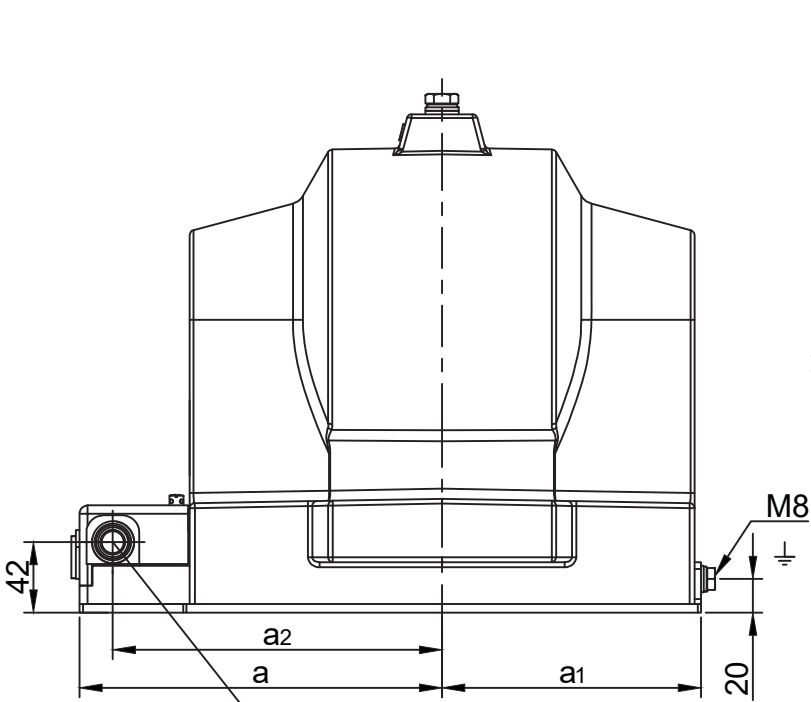


- block type
- single-pole insulated
- cast resin insulation
- secondary reconnection
- standards GOST 1983-2015 / IEC 61869-1 & -3
- for measurement and protection equipment

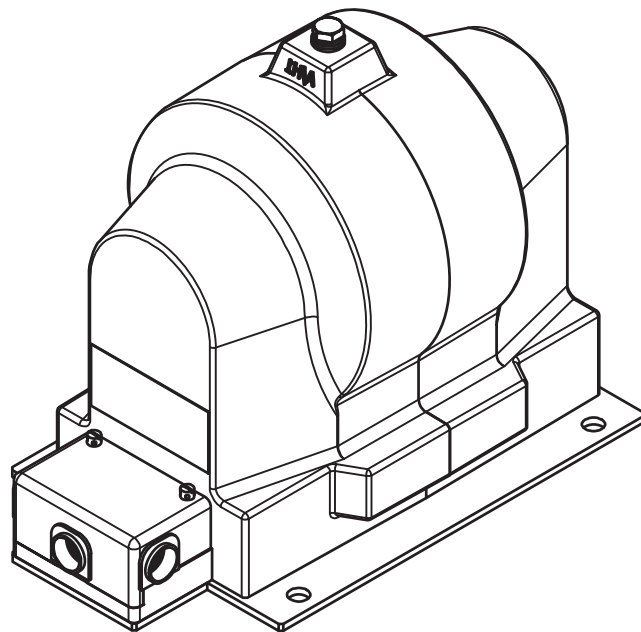
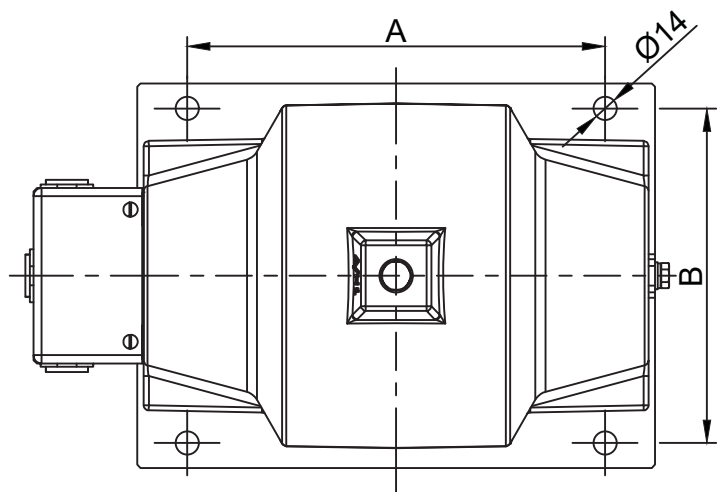
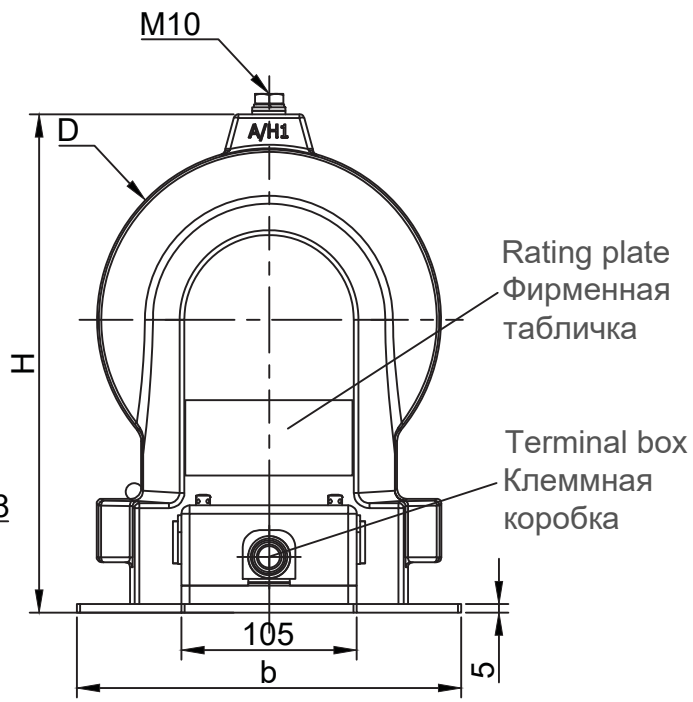
Technical data		GSE 10	GSE 20	GSE 30	GSE 45
Rated voltage, U_r	kV	10; 15	20	35	45
Highest voltage for equipment, U_m	kV	12; 17,5	24	36	52
Test voltage (short-duration withstand rated lightning-impulse withstand)	kV	28 75; 38 95	50 125	70 170; 95 190	95 250
Rated primary voltage, U_{pr}	V	6000/ $\sqrt{3}$... 10000/ $\sqrt{3}$	15000/ $\sqrt{3}$... 20000/ $\sqrt{3}$	25000/ $\sqrt{3}$... 35000/ $\sqrt{3}$	45000/ $\sqrt{3}$
Rated secondary voltage, U_{sr} (measurement winding)	V	100/ $\sqrt{3}$			
Rated secondary voltage, U_{sr} (earth winding)	V	100/3			
Accuracy class - measurement winding - earth winding		0,2; 0,5; 1 3P; 6P			
Rated power, S_r - measurement winding - earth winding	V·A	5 ... 240 5 ... 100	5 ... 300 5 ... 100	5 ... 300 5 ... 100	5 ... 240 5 ... 100
Thermal limiting output - measurement winding - earth winding	V·A	up to 500 up to 100	up to 600 up to 100	up to 800 up to 150	up to 850 up to 150
Rated voltage factor		1,9 × U_r			
Rated frequency	Hz	50 (60 on request)			
Ambient temperature	°C	-5°C ... +40°C			
Insulation class		E (120 °C)			
Protection class		IP44			
Flexing strength	N	>5000			
Mounting position		of no significance			
Lifetime	years	>30			
Weight	kg	20 ... 30	30 ... 40	40 ... 50	50 ... 60

Subject to Technical Changes.

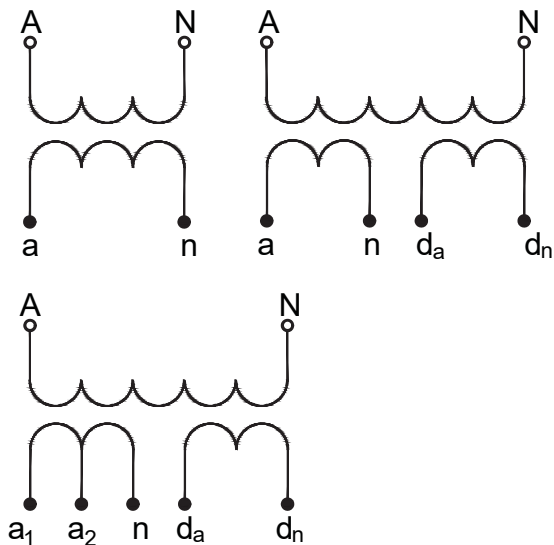




Cable gland Pg16
Кабельный вывод Pg16



Terminal marking / Обозначение клемм



	GSE10	GSE20	GSE30
A	225	250	300
B	175	200	225
a	196	217	220
a₁	140	155	171
a₂	176	197	198
b	195	230	255
H *	240 (355)	300 (415)	330
D	182	206	230

Sizes in mm / Размеры в мм
* The height with fuse is given in brackets. /
Высота с предохранителем указана в скобках.