



Indoor current transformer up to 24 kV – 4000 A Type GIS 12 | 24

Possible models 12kV: GIS12d, GIS12e, GIS12f; 24kV: GIS24d, GIS24e, GIS24f

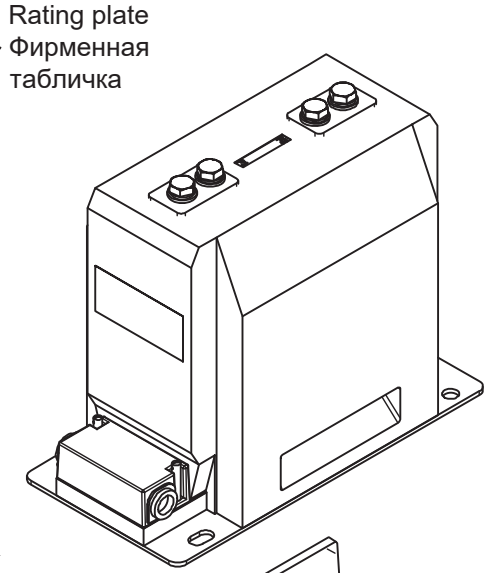
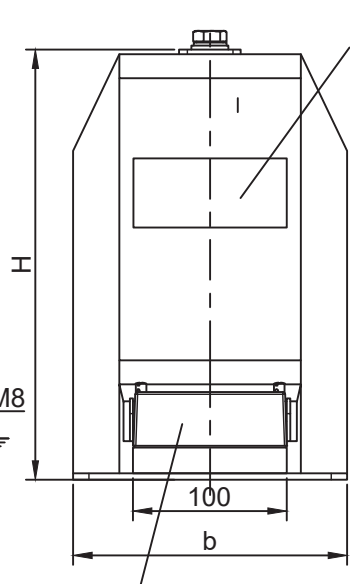
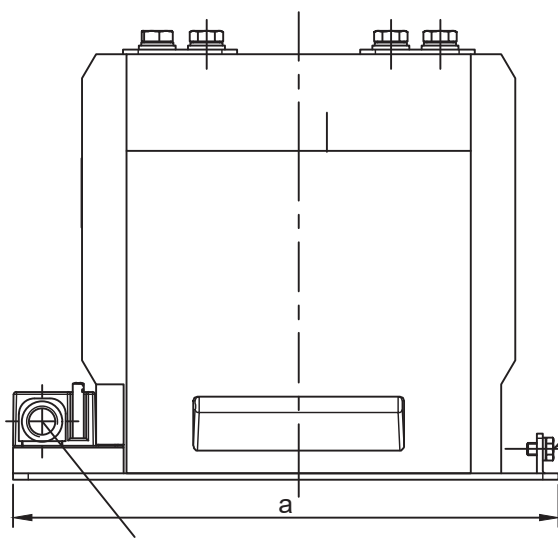


- with support function
- small block type acc. DIN 42600
- cast resin insulation
- primary and secondary reconnection
- standards GOST 7746-2015 / IEC 61869-1 & -2
- for measurement and protection equipment
- up to max 5 cores

Technical data		GIS 12	GIS 24
Rated voltage, U_r	kV	6; 10; 15	20
Highest voltage for equipment, U_m	kV	7,2; 12; 17,5	24
Test voltage (short-duration withstand rated lightning-impulse withstand)	kV	20 60; 28 (42) 75; 38 95	50 (65) 125
Rated primary currents, I_{pr}	A	5 ... 4000	
Rated secondary currents, I_{sr}	A	1 and/or 5	
Rated dynamic current, I_{dyn}		$2,5 \times I_{th}$ max 120 kA	
Rated power, S_r - power factor $\cos \varphi_2 = 1$ - power factor $\cos \varphi_2 = 0,8$	V·A	0,5 ... 5 3 ... 60	
Accuracy class - measurement core - protection core		0,2; 0,2S; 0,5; 0,5S; 1; 3 5P; 10P	
Instrument security factor, FS		5 ... 15	
Accuracy limit factor, ALF		5 ... 30	
Rated continuous thermal current, I_{cth}		$1,0 \times I_{pr}$ ($>1,0 \times I_{pr}$ on request)	
Rated short-time thermal current, I_{th}		up to $1000 \times I_{pr}$ max 100 kA	
Rated frequency	Hz	50 (60 on request)	
Ambient temperature	°C	-5°C ... +40°C	
Insulation class		E (120 °C)	
Protection class		IP40	
Flexing strength	N	>5000	
Mounting position		of no significance	
Lifetime	years	>30	
Weight	kg	20 ... 50	25 ... 55

Subject to Technical Changes.



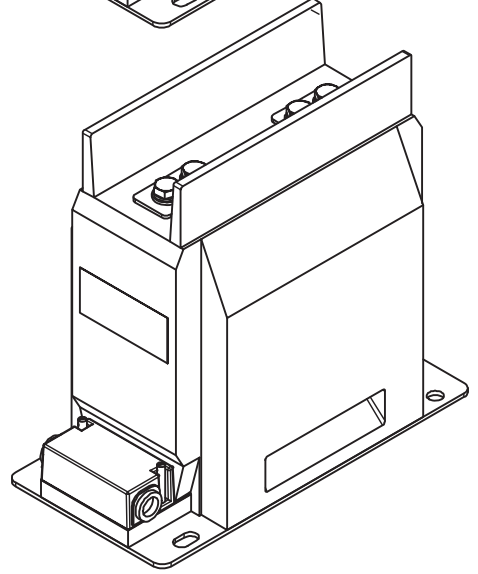
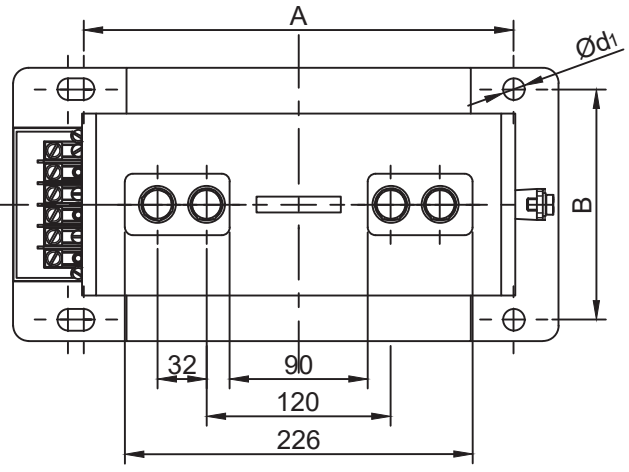


Cable gland Pg16
Кабельный вывод Pg16

Rating plate
Фирменная табличка

Terminal box
Клеммная коробка

Rated current ≤ 1500 A
Номинальный ток ≤ 1500 A

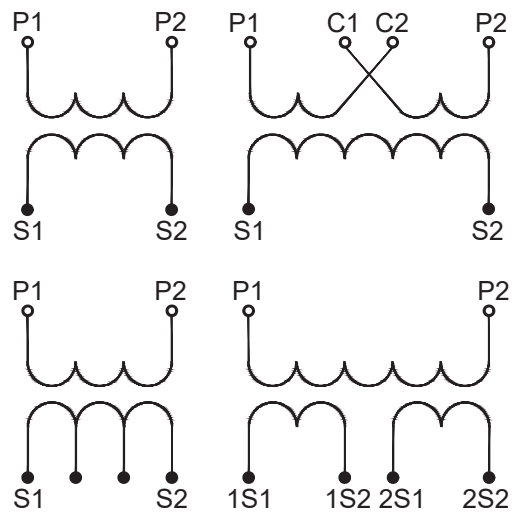


	GIS12d	GIS12e	GIS12f	GIS17,5d	GIS17,5e	GIS17,5f	GIS24d	GIS24e	GIS24f
A	270	331	390	270	320	375	280	328	388
B	125	125	125	125	125	125	150	150	150
a	347	405	465	347	405	465	355	400	460
b	148	148	148	148	148	148	178	178	178
Ød1	12	12	12	12	12	12	14	14	14
H *	220 (243)	220 (234)	220 (234)	220 (234)	220 (243)	220 (243)	280 (337)	280 (337)	280 (337)

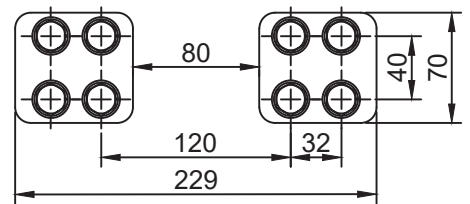
Sizes in mm / Размеры в мм

* The height with barriers is given in brackets. / Высота с барьером указана в скобках.

Terminal marking / Обозначение клемм



1500 A < rated current ≤ 2500 A
1500 A < номинальный ток ≤ 2500 A



Primary reconnection up to 2x750 A
Переключение по первичной стороне до 2x750 A
up to 750 A / до 750 A up to 1500 A / до 1500 A

