



Indoor current transformer up to 40,5 kV – 3000 A Type GI 30 | 36

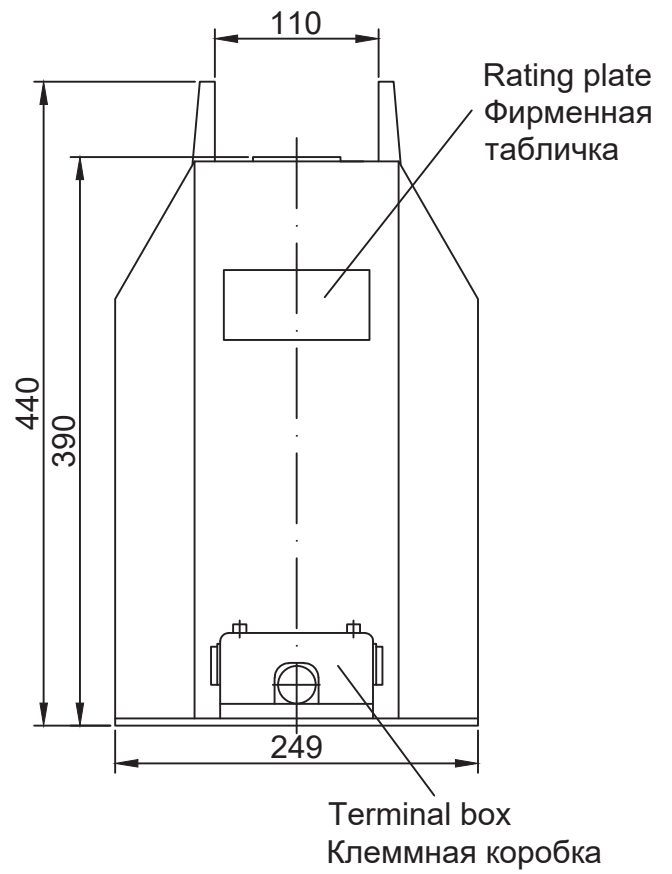
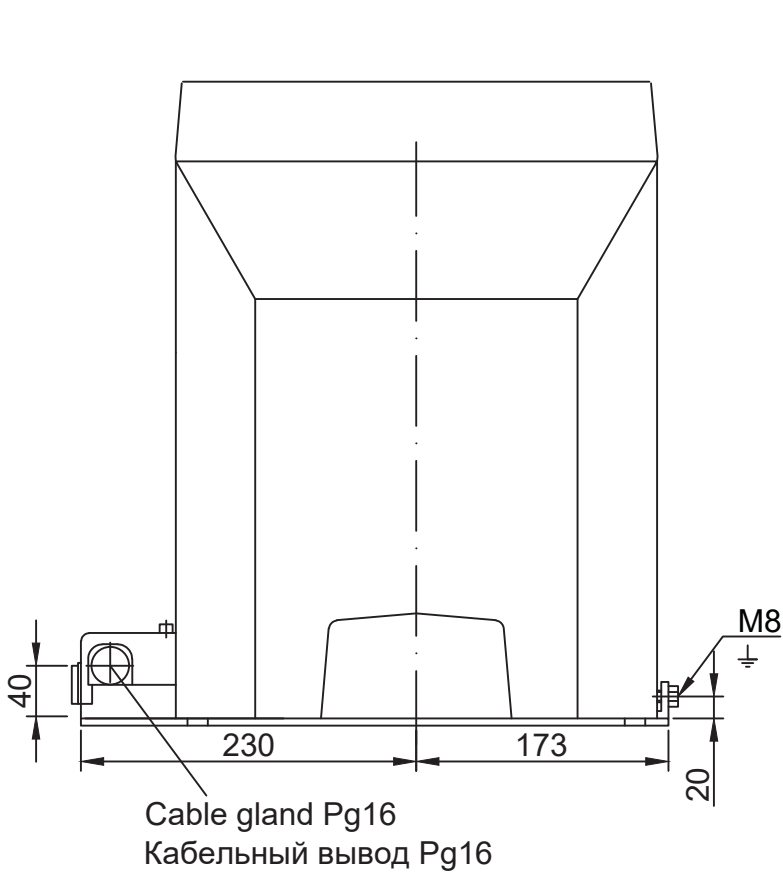


- with support function
- block type
- cast resin insulation
- primary and secondary reconnection
- standards GOST 7746-2015 / IEC 61869-1 & -2
- for measurement and protection equipment
- up to max 5 cores

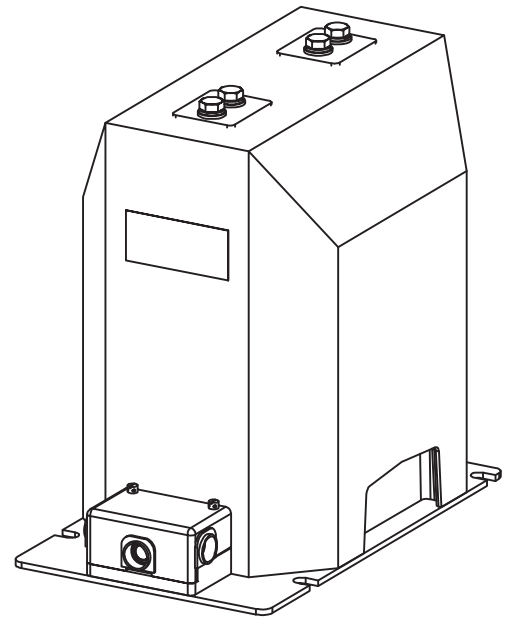
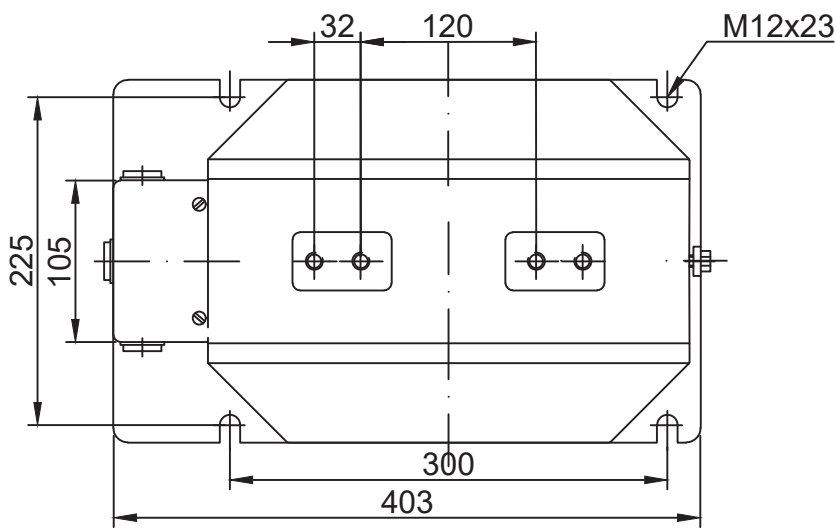
Technical data		
		GI 30 36
Rated voltage, U_r	kV	35
Highest voltage for equipment, U_m	kV	40,5
Test voltage (short-duration withstand rated lightning-impulse withstand)	kV	70 170; 95 190
Rated primary currents, I_{pr}	A	5 ... 3000
Rated secondary currents, I_{sr}	A	1 and/or 5
Rated dynamic current, I_{dyn}		$2,5 \times I_{th}$ max 150 kA
Rated power, S_r - power factor $\cos \varphi_2 = 1$ - power factor $\cos \varphi_2 = 0,8$	V·A	0,5 ... 5 3 ... 60
Accuracy class - measurement core - protection core		0,2; 0,2S; 0,5; 0,5S; 1; 3 5P; 10P
Instrument security factor, FS		5 ... 15
Accuracy limit factor, ALF		5 ... 30
Rated continuous thermal current, I_{cth}		$1,0 \times I_{pr}$ ($>1,0 \times I_{pr}$ on request)
Rated short-time thermal current, I_{th}		up to $800 \times I_{pr}$ max 60 kA
Rated frequency	Hz	50 (60 on request)
Ambient temperature	°C	-5°C ... +40°C
Insulation class		E (120 °C)
Protection class		IP40
Flexing strength	N	>5000
Mounting position		of no significance
Lifetime	years	>30
Weight	kg	50 ... 85

Subject to Technical Changes.

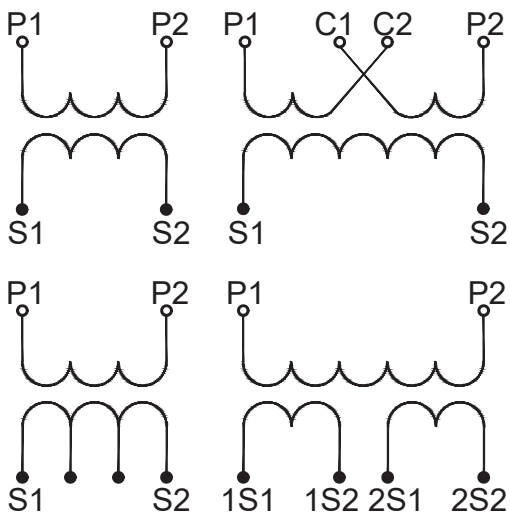




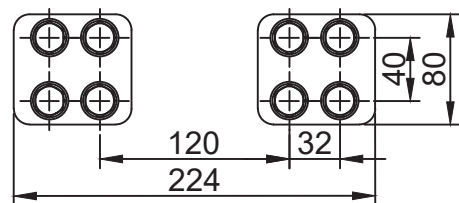
Rated current ≤ 1250 A
Номинальный ток ≤ 1250 A



Terminal marking / Обозначение клемм



Rated current ≤ 2500 A
Номинальный ток ≤ 2500 A



Primary reconnection up to 2x750 A
Переключение по первичной стороне до 2x750 A
up to 750 A / до 750 A **up to 1500 A / до 1500 A**

