



Outdoor voltage transformer up to 40,5 kV Type GEF 12 | 17,5 | 24 | 36 | 40,5

Possible models GEF 12 / 24 / 36 / 40,5

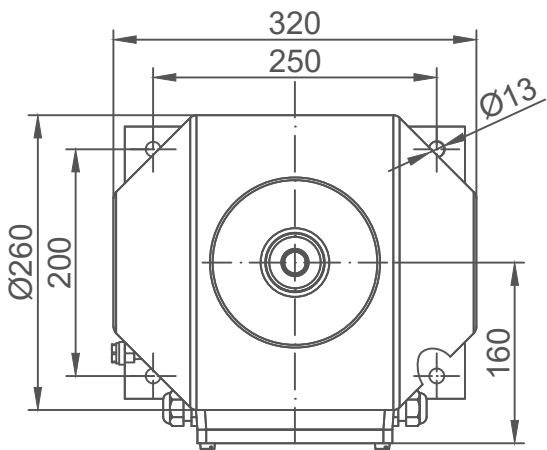
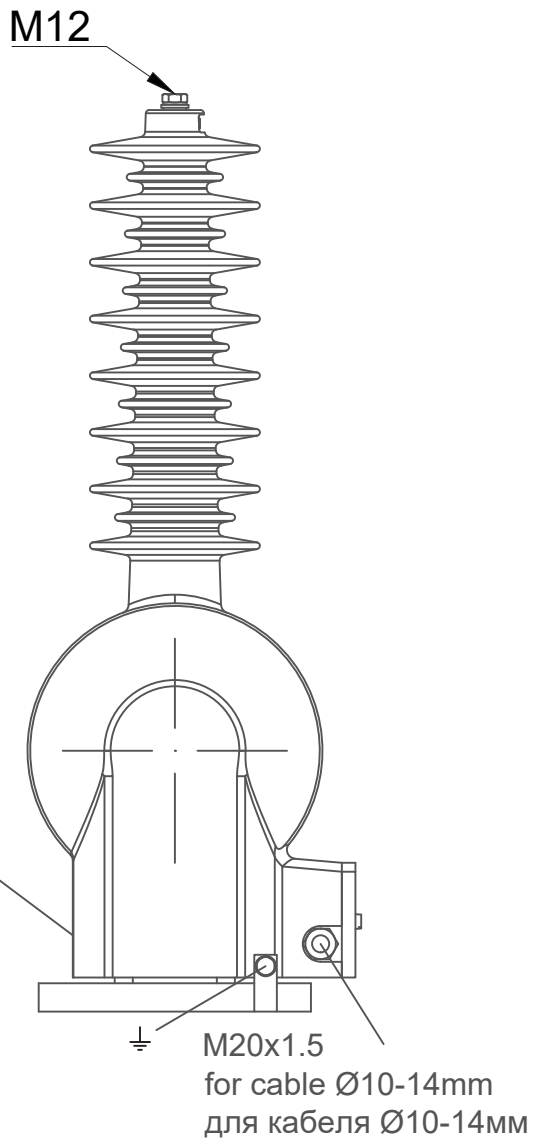
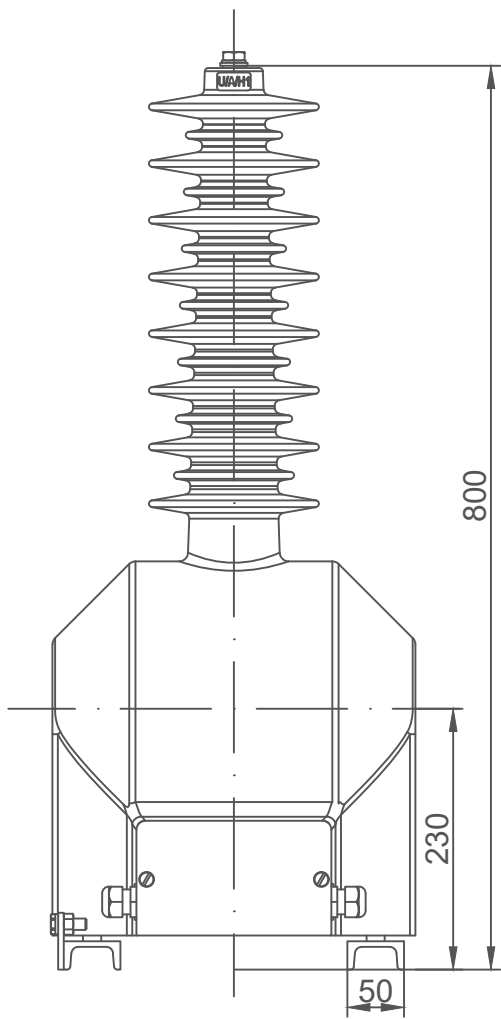


- single-pole insulated
- cast resin insulation
- secondary reconnection
- standards GOST 1983-2015 / IEC 61869-1 & -3
- for measurement and protection equipment

Technical data		GEF 12	GEF 24	GEF 36 / 40,5
Rated voltage, U_r	kV	10	15; 20	35
Highest voltage for equipment, U_m	kV	12	17,5; 24	36
Test voltage (short-duration withstand rated lightning-impulse withstand)	kV	28 (42) 75	38 95; 50 (65) 125	70 170 95 190
Rated primary voltage, U_{pr}	V	6...10000/ $\sqrt{3}$	15...20000/ $\sqrt{3}$	30.. 35000/ $\sqrt{3}$
Rated secondary voltage, U_{sr} (measurement winding)	V	100/ $\sqrt{3}$		
Rated secondary voltage, U_{sr} (earth winding)	V	100/3		
Accuracy class - measurement winding - earth winding			0,2; 0,5; 1; 3 3P; 6P	
Rated power, S_r - measurement winding - earth winding	V·A		up to 150 up to 150	
Thermal limiting output - measurement winding - earth winding	V·A		up to 1000 up to 100	
Rated voltage factor			$1,9 \times U_r$	
Rated frequency	Hz		50 (60 on request)	
Ambient temperature	°C		-25 (-60) °C ... +40°C	
Insulation class			E (120 °C)	
Protection class			IP44	
Flexing strength	N		<500	
Mounting position			up right	
Lifetime	years		>30	
Weight	kg		30 ... 60	

Subject to Technical Changes.





Terminal marking / Обозначение клемм

