



Indoor current transformer up to 36 kV – 3000 A Type GDS 12 | 17,5 | 24 | 36



- bushing type
- cast resin insulation
- secondary reconnection
- standards GOST 7746-2015 / IEC 61869-1 & -2
- for measurement and protection equipment
- up to max 4 cores

Technical data				
		GDS 12	GDS 24	GDS 36
Rated voltage, U_r	kV	10	15; 20	35
Highest voltage for equipment, U_m	kV	12	17,5; 24	36
Test voltage (short-duration withstand rated lightning-impulse withstand)	kV	28 (42) 75	38 95 ; 50 (65) 125	70 170
Rated primary currents, I_{pr}	A	150 ... 3000		
Rated secondary currents, I_{sr}	A	1 and/or 5		
Rated dynamic current, I_{dyn}		$2,5 \times I_{th}$		
Rated power, S_r - power factor $\cos \varphi_2 = 1$ - power factor $\cos \varphi_2 = 0,8$	V·A	0,5 ... 5 3 ... 60		
Accuracy class - measurement core - protection core		0,2; 0,2S; 0,5; 0,5S; 1; 3 5P; 10P		
Instrument security factor, FS		5 ... 15		
Accuracy limit factor, ALF		5 ... 30		
Rated continuous thermal current, I_{cth}		$1,0 \times I_{pr}$ ($>1,0 \times I_{pr}$ on request)		
Rated short-time thermal current, I_{th}		up to $1000 \times I_{pr}$ max 100 kA		
Rated frequency	Hz	50 (60 on request)		
Ambient temperature	°C	-5°C ... +40°C		
Insulation class		E (120 °C)		
Protection class		IP4		
Flexing strength	N	>5000		
Mounting position		up right or aflat		
Lifetime	years	>30		
Weight	kg	25 ... 76		

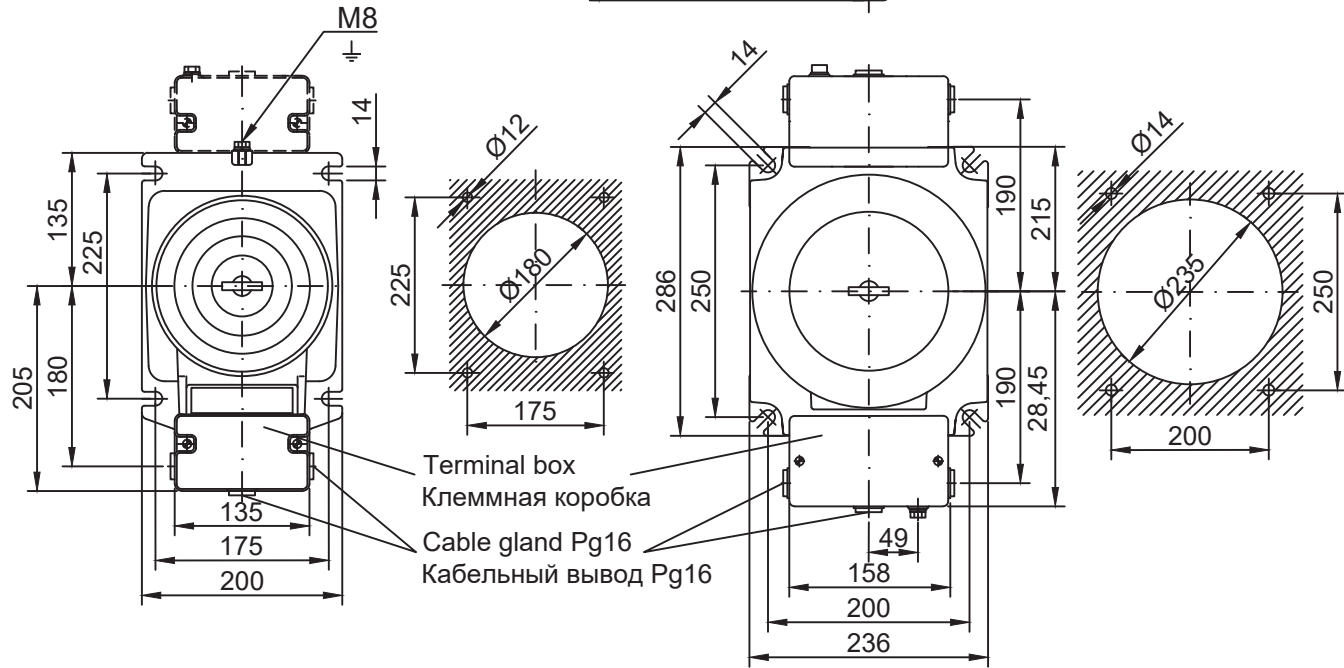
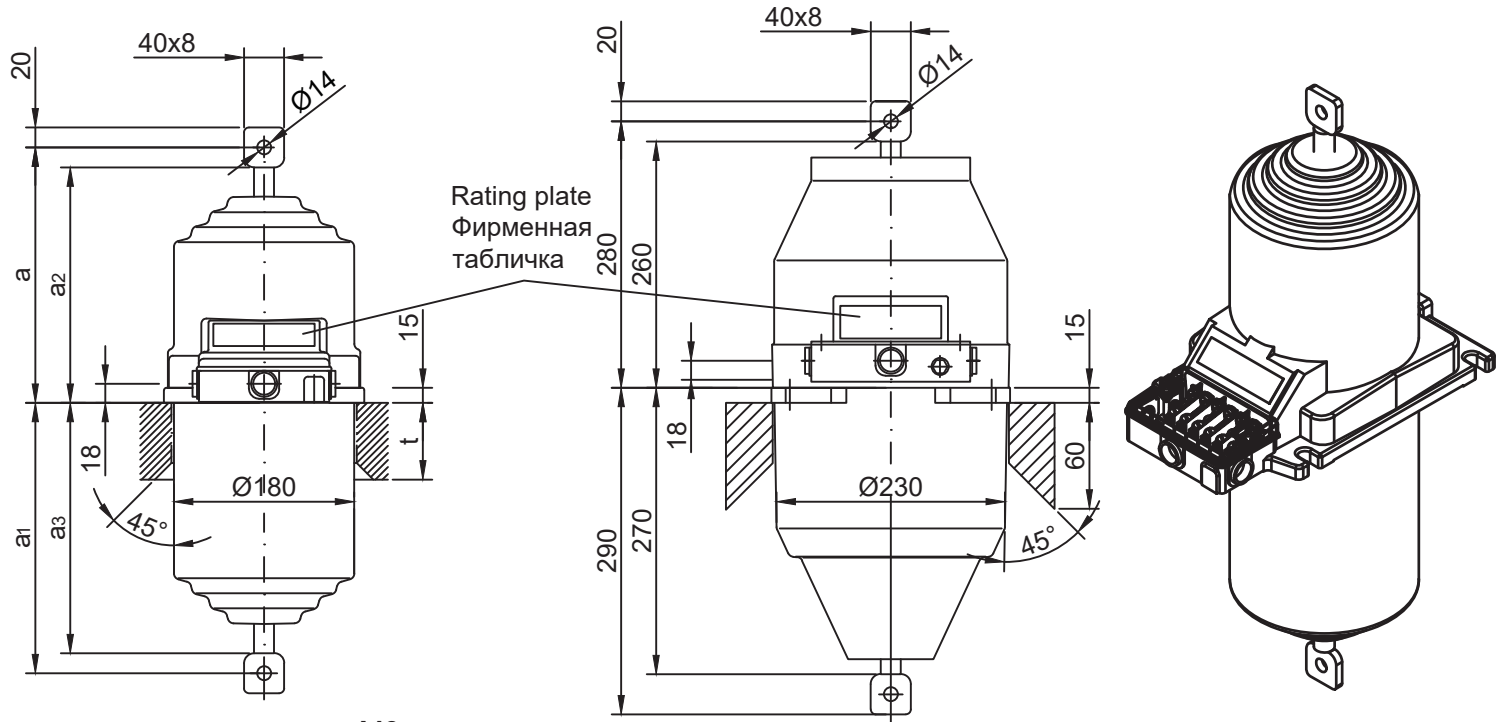
Subject to Technical Changes.



GDS 10 / 20 / 30

GDS 12 / 24 / 36

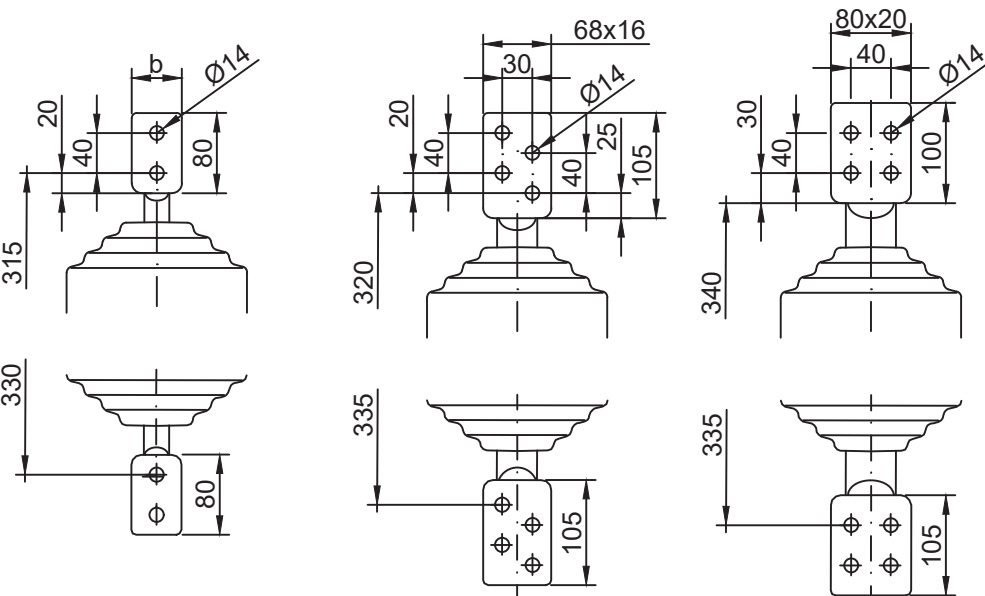
Rated current up to 600 A / Номинальный ток до 600 А



600 ... 1500 A

1500 ... 2000 A

2000 ... 2500 A



Rated current Номинальный ток	b
600 ... 750 A	50x10
750 ... 1000 A	60x12
1000 ... 1500 A	68x16

	GDS10 size 0	GDS10 size 2	GDS10 size 3	GDS20 size 1	GDS20 size 2	GDS30 size 1
a	190	255	315	255	315	315
a₁	150	270	330	270	330	330
a₂	170	235	295	235	295	295
a₃	130	250	310	250	310	310
t	50	115	195	60	140	60