



Metal-clad voltage transformer up to 40,5 kV Type GBE... 12 | 24 | 36

Possible models GBEIC 12/0, 24/0; GBEIN 12/0, 24/0; GBEAC 12/0, 24/0; GBEAN 12/0, 24/0; GBEI 36; GBEA 36

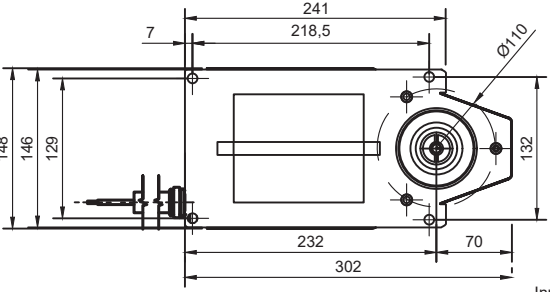
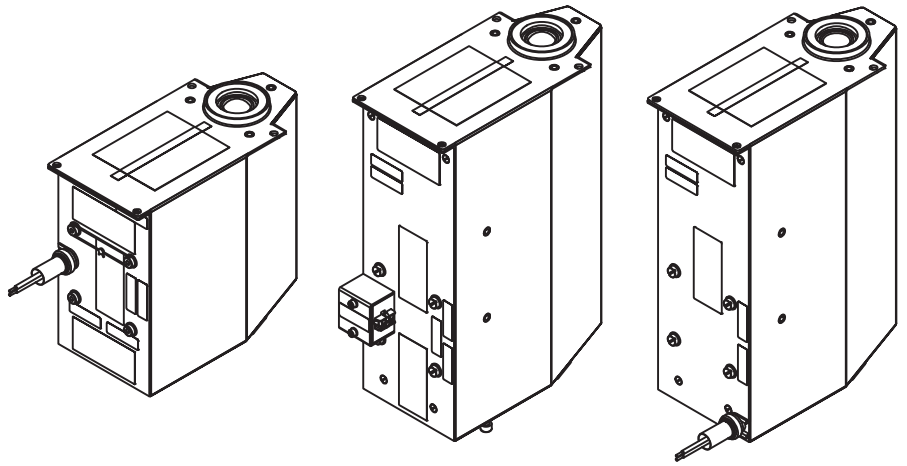
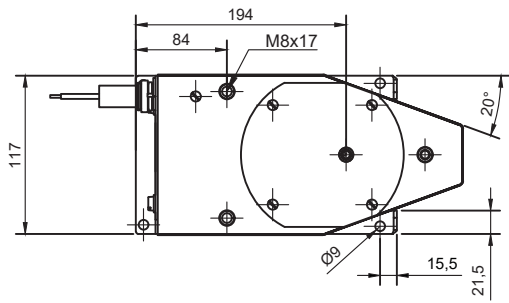


- metal-clad – touch proof
- plug-in cable connection
- outer or inner cone
- single-pole insulated
- resin encapsulation
- secondary reconnection
- standards GOST 1983-2015 / IEC 61869-1 & -3
- for measurement and protection equipment

Technical data				
		GBEI... 12 GBEA... 12	GBEI... 24 GBEA... 24	GBEI... 36 GBEA... 36
Rated voltage, U_r	kV	10	20	35
Highest voltage for equipment, U_m	kV	12	24	36; 40,5
Test voltage (short-duration withstand rated lightning-impulse withstand)	kV	28 (42) 75	50 (65) 125	70 170 95 190
Rated primary voltage, U_{pr}	V	3000/ $\sqrt{3}$... 11000/ $\sqrt{3}$	10000/ $\sqrt{3}$... 20000/ $\sqrt{3}$	22000/ $\sqrt{3}$... 36000/ $\sqrt{3}$
Rated secondary voltage, U_{sr}	V	110/ $\sqrt{3}$; 100/ $\sqrt{3}$; 110/3; 100/3		
Accuracy class		0,2; 0,5; 1		
Rated power, S_r	V·A	cl. 0,2 – up to 25 cl. 0,5 – up to 60 cl. 1 – up to 180		cl. 0,2 – up to 50 cl. 0,5 – up to 120 cl. 1 – up to 250
Thermal limiting output	V·A	up to 400		up to 600
Plug size Inner cone		0, 1, 2		1, 2
Plug size Outer (Außer) cone		A, B, C		A, B, C
Rated voltage factor		1,9 × U_r		
Rated frequency	Hz	50 (60 on request)		
Ambient temperature	°C	-5°C ... +40°C		
Insulation class		E (120 °C)		
Protection class		IP40		
Flexing strength	N	Cable connection		
Mounting position		up right		
Lifetime	years	>30		
Weight	kg	30 ... 55		

Subject to Technical Changes.

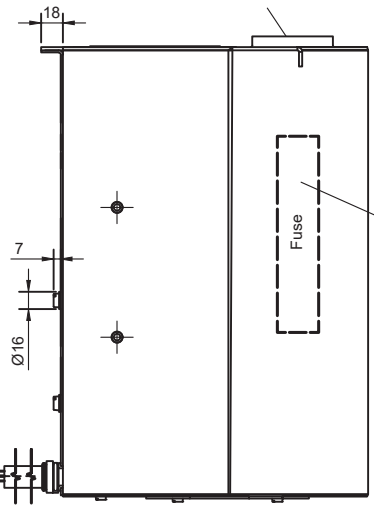




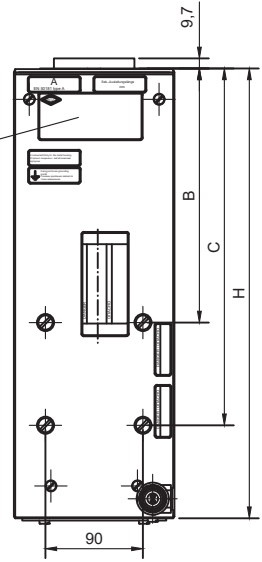
Inner sealing cone for cable-plug connection
acc. EN 50181 connecting type A
Внутренний уплотнительный конус для
соединения кабель-штекер согл. EN 50181 тип
соединения А

	GBEIC12/0 SES	GBEIC24/0 SES	GBEIC12/0 SES	GBEIC24/0 SES
H	295	415	295	415
B			114	234
C			209	329

Connecting cable DIN 57281 H07V-K1X4
Соединительный кабель DIN 57281 H07V-K1X4
GBEIC 12/0...24/0 SES:
length 3,7 m; with 3,1 m woven tube
длина 3,7 м; с плетеной трубкой 3,1 м
GBEIC 12/0...24/0 OES:
length 2,1 m; with 1,5 m woven tube
длина 2,1 м; с плетеной трубкой 1,5 м

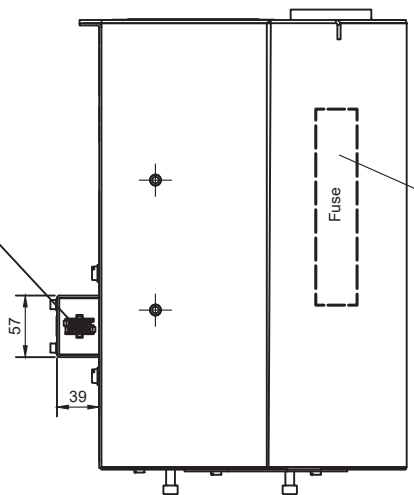


Rating plate
Фирменная
табличка
Предохранитель

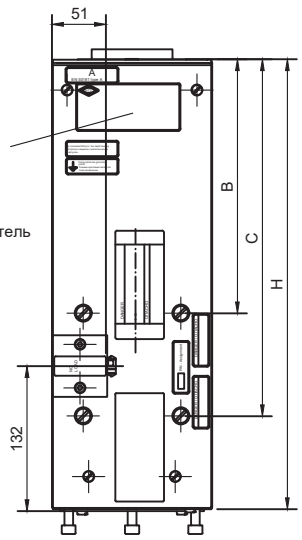


	GBEIC12/0 SES	GBEIC24/0 SES
H	295	415
B	114	234
C	209	329

Secondary terminal plug AMP (Mate - N - Lok)
Штекер вторичного вывода AMP (Mate - N - Lok)



Rating plate
Фирменная
табличка
Предохранитель



Connecting cable DIN 57281 H07V-K1X4
Соединительный кабель DIN 57281 H07V-K1X4
GBEIC 12/0...24/0 S:
length 3,7 m; with 3,1 m woven tube
длина 3,7 м; с плетеной трубкой 3,1 м

Secondary terminal plug AMP (Mate - N - Lok)
Штекер вторичного вывода AMP (Mate - N - Lok)

